

DESCRIPTION

Hard wired electronic 24VDC 240W IP65 LED driver.

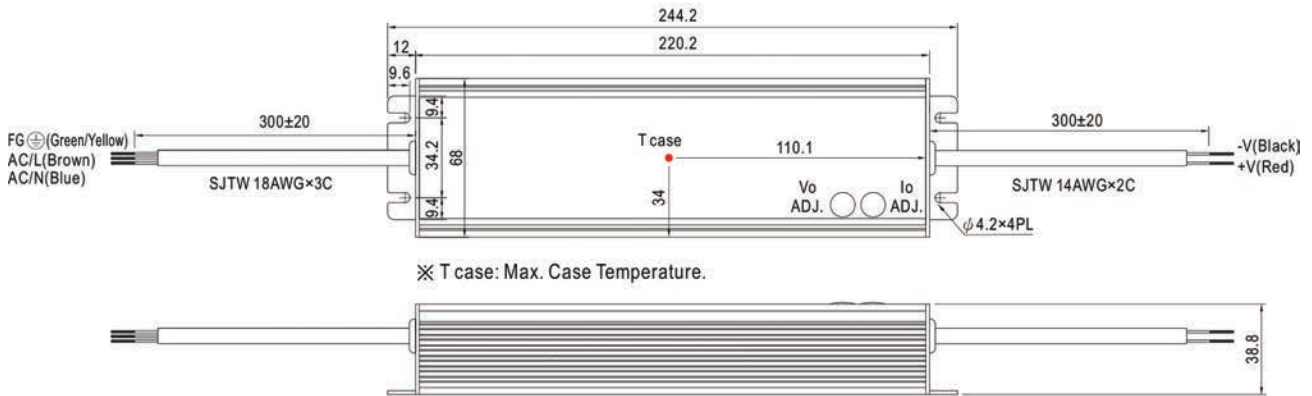
FEATURES

- *Suitable for use in dry, damp and wet locations
- *Fully encapsulated (IP65)
- *Short circuit/over current/over voltage/over temperature protection
- *5 year warranty

SPECIFICATIONS



Driver: Constant Voltage
 Input: 120V
 Output: 24VDC
 Rated power: 240w
 IP65 rated



※ T case: Max. Case Temperature.

※ IP65 rated. Output voltage and constant current level can be adjusted through internal potentiometer.
 (Can access by removing the rubber stopper on the case.)



Project: _____
 Type: _____
 Date: _____
 Part #: _____

ORDERING
CODE

